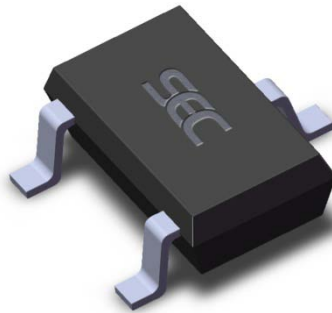


Features and Benefits

- 4.5V to 24V Operation
- -40°C to 150°C Superior temperature operation
- Bipolar technology
- Open-collector 25 mA output
- Reverse battery protection
- Small Size SOT23 3L
- Solid-state reliability
- Resistant to physical stress
- Activate with small, commercially available Permanent magnets

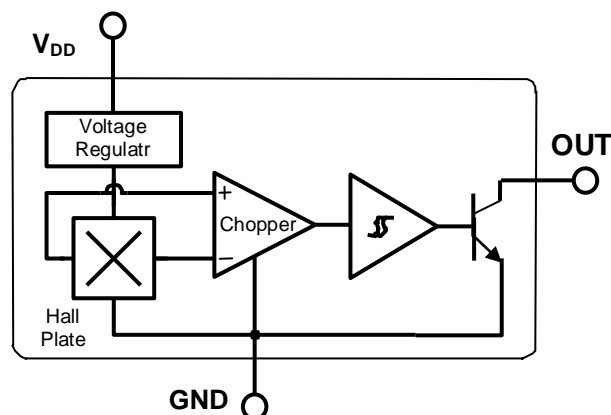
Application Examples

- Automotive, Consumer and Industrial
- Solid-state switch
- Brushless DC motor commutation
- Speed detection
- Linear position detection
- Angular position detection
- Proximity detection



3 pin SOT23 (suffix SO)

Functional Block Diagram



SOT Package
 Pin 1 – V_{DD}
 Pin 2 – OUT
 Pin 3 – GND

General Description

The SS1103 is a unipolar Hall-effect sensor IC fabricated from bipolar technology. The device integrates a voltage regulator, reverse battery protection diode, Hall sensor with dynamic offset cancellation system, temperature compensation circuitry, small signal amplifier, Schmitt trigger and an open-collector output to sink up to 25 mA. With suitable output pull up, they can be used with bipolar or CMOS logic circuits.

These Hall-effect switches are monolithic integrat-

ed circuits with tighter magnetic specifications, designed to operate continuously over extended temperatures to +150°C, and are more stable with both temperature and supply voltage changes. The unipolar switching characteristic makes these devices ideal for use with a simple bar or rod magnet.

Thanks to its wide operating voltage range and extended choice of temperature range, it is quite suitable for use in automotive, industrial and consumer applications.

Glossary of Terms

MilliTesla (mT), Gauss Units of magnetic flux density: 1mT = 10 Gauss

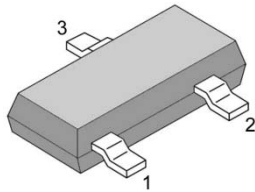
RoHS Restriction of Hazardous Substances

Operating Point (B_{OP}) Magnetic flux density applied on the branded side of the package which turns the output driver ON ($V_{OUT} = V_{DSon}$)

Release Point (B_{RP}) Magnetic flux density applied on the branded side of the package which turns the output driver OFF ($V_{OUT} = \text{high}$)

Pin Definitions and Descriptions

SOT Pin №	Name	Type	Function
1	V _{DD}	Supply	Supply Voltage pin
2	OUT	Output	Open Drain Output pin
3	GND	Ground	Ground pin



Absolute Maximum Ratings

Parameter	Symbol	Value	Units
Supply Voltage	V _{DD}	28	V
Supply Current	I _{DD}	50	mA
Output Voltage	V _{OUT}	28	V
Output Current	I _{OUT}	50	mA
Storage Temperature Range	T _S	-65 to 170	°C

Operating Temperature Range	Symbol	Value	Units
Temperature Suffix "E"	T _A	-40 to 85	°C
Temperature Suffix "K"	T _A	-40 to 125	°C
Temperature Suffix "L"	T _A	-40 to 150	°C

Exceeding the absolute maximum ratings may cause permanent damage. Exposure to absolute-maximum- rated conditions for extended periods may affect device reliability

General Electrical Specifications

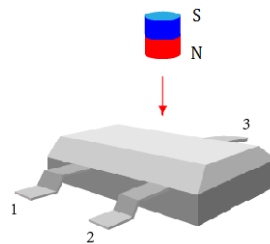
DC Operating Parameters $T_A = 25^\circ\text{C}$, $V_{DD} = 4.5\text{V to } 24\text{V}$ (unless otherwise specified)

Parameter	Symbol	Test Conditions	Min	Typ	Max	Units
Supply Voltage	V_{DD}	Operating	4.5		24	V
Supply Current	I_{DD}	$B < B_{RP}$	4	5	7	mA
Output Saturation Voltage	V_{DSon}	$I_{OUT} = 20\text{mA}$, $B > B_{OP}$		0.3	0.5	V
Output Leakage Current	I_{OFF}	$B < B_{RP}$ $V_{OUT} = 24\text{V}$		0.1	10	μA
Output Rise Time	t_r	$R_L = 820\Omega$, $C_L = 20\text{pF}$		0.04	2.0	μs
Output Fall Time	t_f	$R_L = 820\Omega$, $C_L = 20\text{pF}$		0.18	2.0	μs

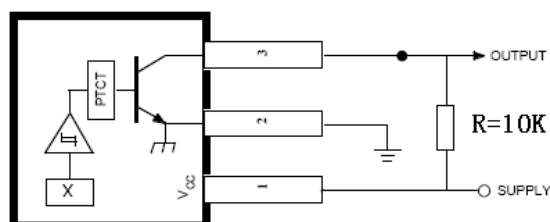
Magnetic Specifications

DC Operating Parameters $V_{DD} = 4.5\text{V to } 24\text{V}$ (unless otherwise specified)

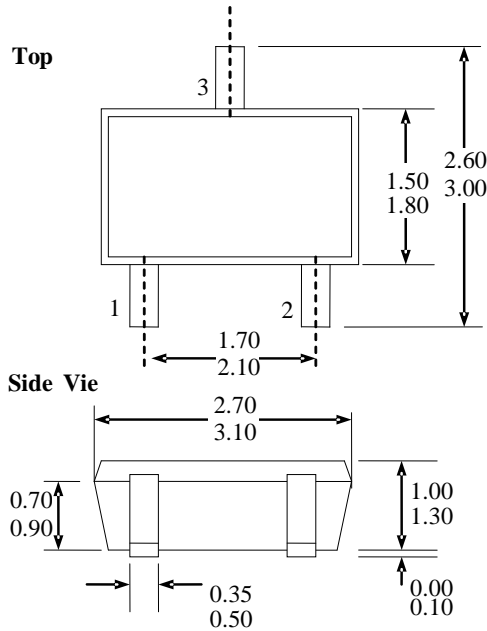
Parameter	Symbol	Test Conditions	Min	Typ	Max	Units
Operating Point	B_{OP}	$T_a = 25^\circ\text{C}$, $V_{DD} = 12\text{V DC}$	-190		-150	G
Release Point	B_{RP}		-160		-100	G
Hysteresis	B_{HYS}			45		G



Application Information



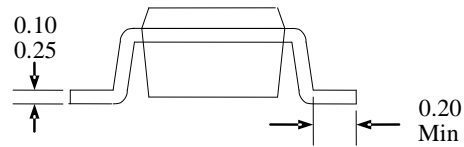
Package SO, 3-Pin SOT-23:



Notes

- 1). PINOUT: Pin 1 V_{DD}
Pin 2 Output
Pin 3 GND
- 2). All dimensions are in millimeters;

End View



Ordering Information

Part No.	Pb-free	Temperature Code	Package Code	Packing
SS1103ESOT	YES	-40°C to 85°C	SOT-23	7-in. reel, 3000 pieces/reel
SS1103KSOT	YES	-40°C to 125°C	SOT-23	7-in. reel, 3000 pieces/reel
SS1103LSOT	YES	-40°C to 150°C	SOT-23	7-in. reel, 3000 pieces/reel